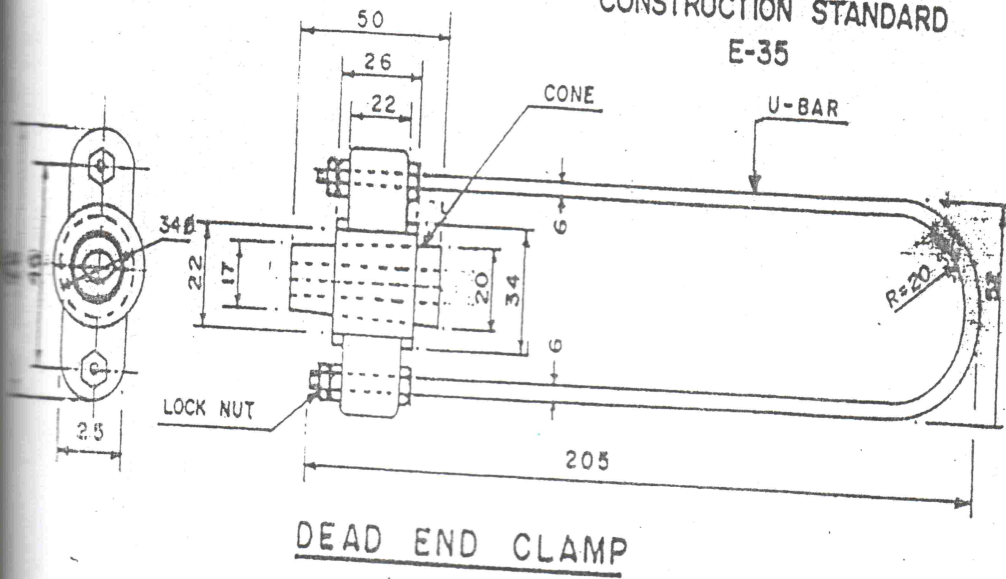
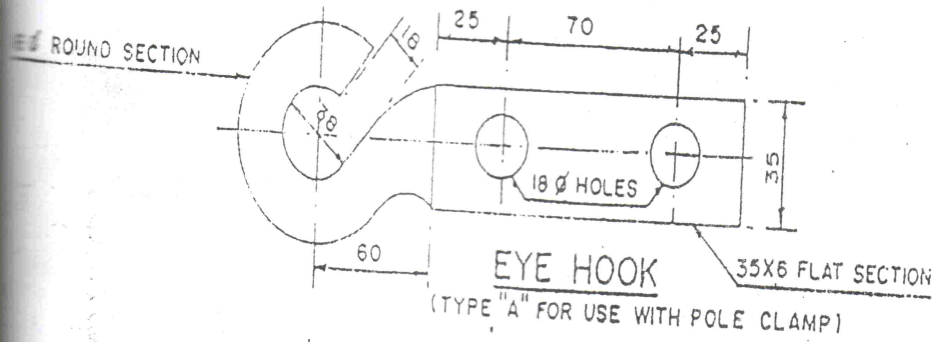


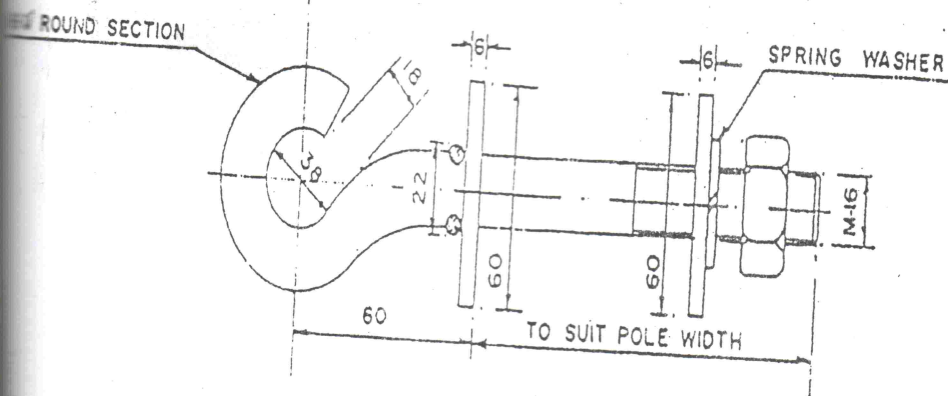
REC
CONSTRUCTION STANDARD
E-35



DEAD END CLAMP



EYE HOOK
(TYPE "A" FOR USE WITH POLE CLAMP)



EYE HOOK
(TYPE "B" FOR USE AS A POLE-THROUGH BOLT)

FIG. 1 DETAILS OF DEAD-END CLAMP & EYE HOOKS